



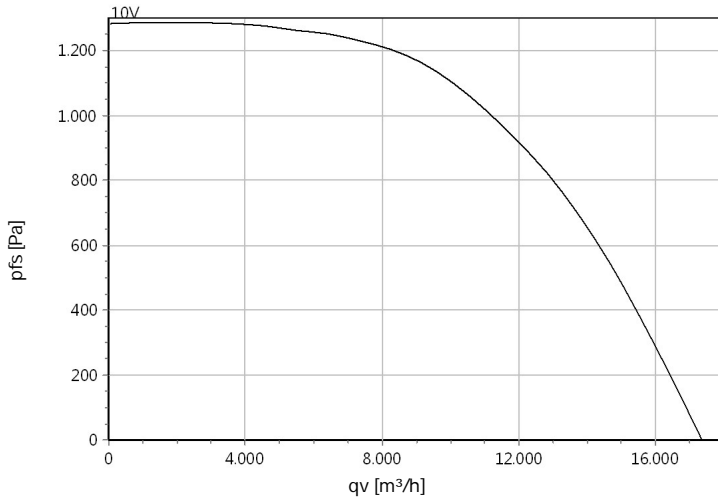
Plug Fan

Type: **GKHM 560-CEB.180.6NA IE**

Art.-No.: N88-56354



**Curve:**



Density: 1,15 kg/m³

**ErP-Data:**

Type:	Lot11	
q <sub>v</sub>	10729	m³/h
p <sub>fs</sub>	1093	Pa
n <sub>ed,fs</sub>	65,1	%
P <sub>ed</sub>	5,24	kW
n	1680	1/min
N	68	
v	8,26	m/s

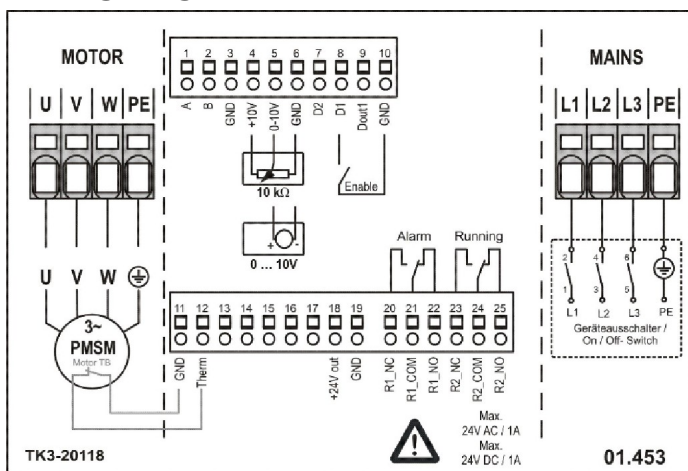
**Technical Data:**

U [V]	f [Hz]	P <sub>e</sub> [kW]	I <sub>N</sub> [A]	n <sub>N</sub> [1/min]	C [μF]	t <sub>r</sub> [°C]	k <sub>10</sub> [m²s/h]	I <sub>A</sub> / I <sub>N</sub>	IP	m [kg]
3- 380-480	50/60	5,2	7,9	1680	-	40	258	-	IP 54	67

**Sound:**

			125Hz	250Hz	500Hz	1KHz	2KHz	4KHz	8KHz
L <sub>wA5</sub> [db(A)]	Inlet	-7	-19	-17	-14	-13	-14	-17	-23
L <sub>wA6</sub> [db(A)]	Outlet	-3	-15	-12	-10	-8	-11	-15	-22
L <sub>wA8</sub> [db(A)]	Outlet	0	-12	-9	-7	-5	-8	-12	-19

**Wiring Diagram:**



**Drawing:**

